



FANUC CRX-10iA Series

The next generation in collaborative

CRX-10iA

Easy Gripper Connection

Manual Guided Teaching

Lightweight at <40KG

Easy Operation

Ergonomic Design

Easy to Install



Flexible and Capable

1,000mm/sec
collaborative speed

Through-arm cabling:
I/O + vision or force

IP54 rating for arm &
vertical controller

Flexible mounting:
floor, angle, invert



Standard and Long Arm Variants



CRX-10iA

- 10kg payload
- 1,249mm reach

Longer J2 arm

CRX-10iA/L

- 10kg payload
- 1,418mm reach

Specifications

Model		CRX-10iA	CRX-10iA/L
Controlled axes		6 axes (J1, J2, J3, J4, J5, J6)	
Reach		1249 mm	1418 mm
Installation (see Note 2)		Floor, ceiling, angle	
Motion range (Maximum motion speed) (see Note 3)	J1	380° (120° /s) 6.63 rad (2.09 rad/s)	360° (120° /s) 6.28 rad (2.09 rad/s)
	J2	360° (120° /s) 6.28 rad (2.09 rad/s)	
	J3	570° (180° /s) 9.95 rad (3.14 rad/s)	540° (180° /s) 9.42 rad (3.14 rad/s)
	J4	380° (180° /s) 6.63 rad (3.14 rad/s)	
	J5	360° (180° /s) 6.28 rad (3.14 rad/s)	
	J6	380° (180° /s) 6.63 rad (3.14 rad/s)	
Maximum motion speed (see Note 3)		1000 mm/s	
Maximum payload capacity at wrist		10 kg	
Allowable load moment at wrist	J4	34.8 Nm	
	J5	26.0 Nm	
	J6	11.0 Nm	
Allowable load inertia at wrist	J4	1.28 kg·m ²	
	J5	0.90 kg·m ²	
	J6	0.30 kg·m ²	
Repeatability		± 0.05 mm	
Weight (see Note 4)		39 kg or less	
Installation environment		Ambient temperature: 0 to 45°C Ambient humidity: Normally 75%RH or less. No dew allowed. Short time (within one month) Max 95%RH Vibration acceleration: 4.9m/s ² (0.5G) or less	
Controller R-30iB Mini Plus	Power source	AC 100~120V, AC200~240V Single-phase +10% -15%, 50/60Hz ± 1Hz	
	Weight	19 kg or less	
	Dimension (W x D x H)	420 × 290 × 370 mm	
	IP Rating	IP54	

Note 1: Specifications may be subject to change without notice for improvement.

Note 2: Additional limitations may apply to the motion range by the payload in the angle-mounted installation.

Note 3: It may not reach the maximum speed in short motion.

Note 4: The weight does not include the weight of the controller.



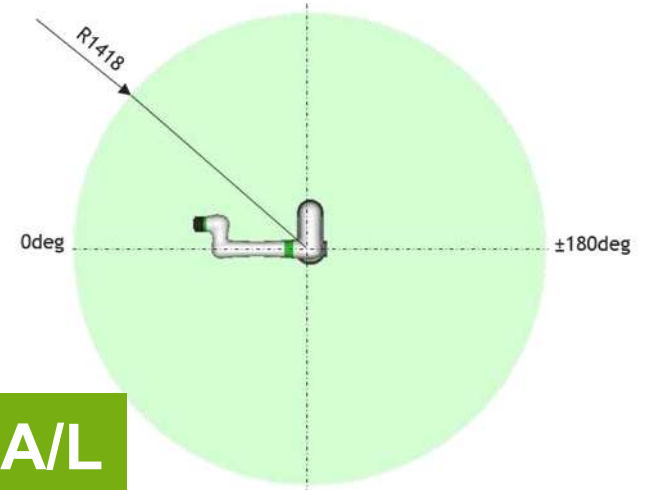
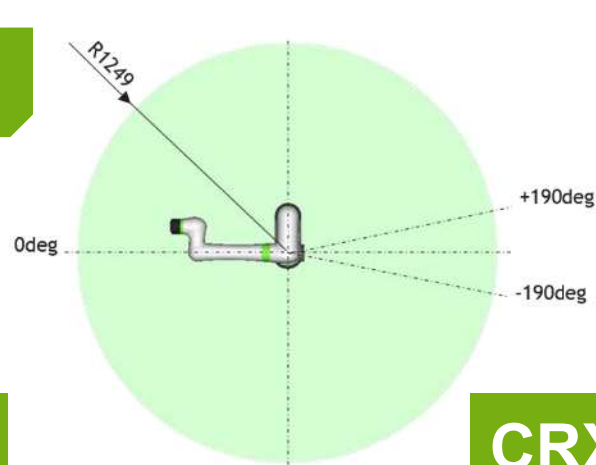
High Collaborative speed
(High Speed Mode available)

Strong Wrist Performance

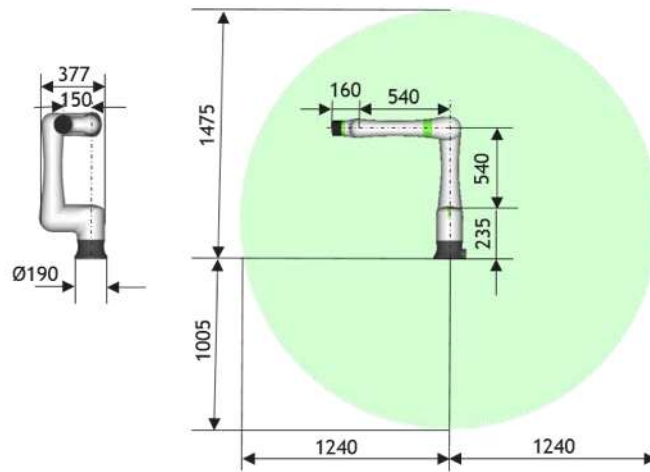
Lightweight and Precise

Lightweight Industrial Controller
(Supports 100~120VAC)

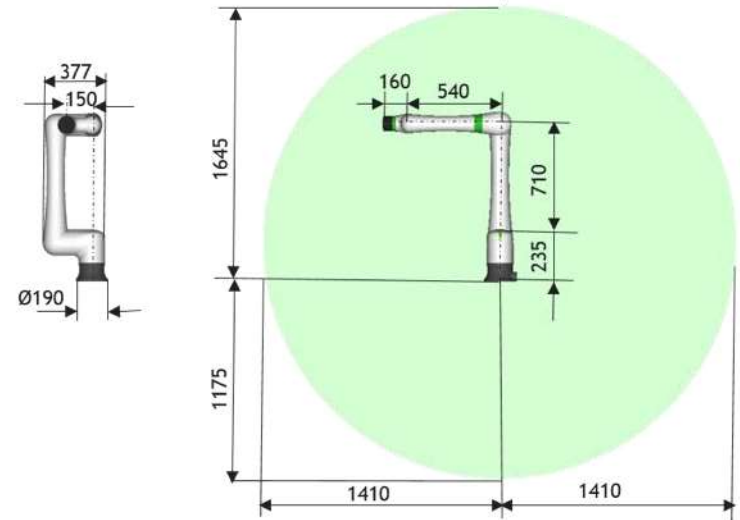
Work Envelope



CRX-10iA



CRX-10iA/L

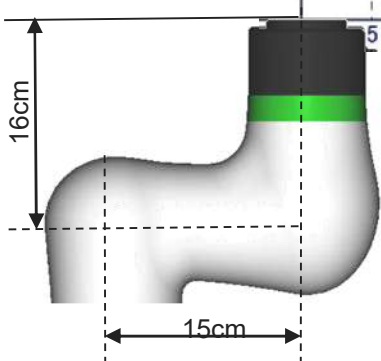
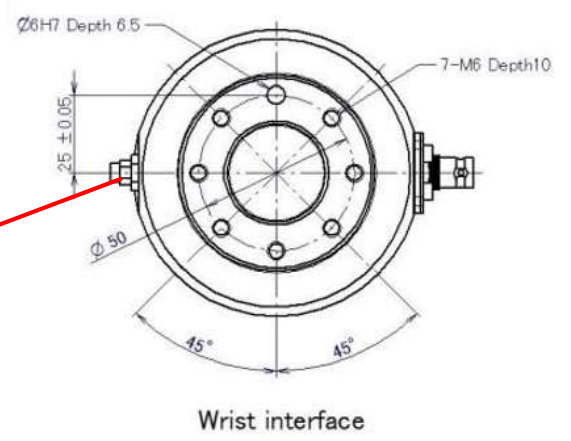
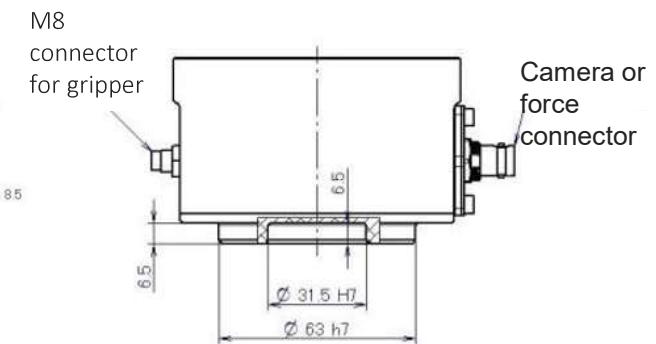
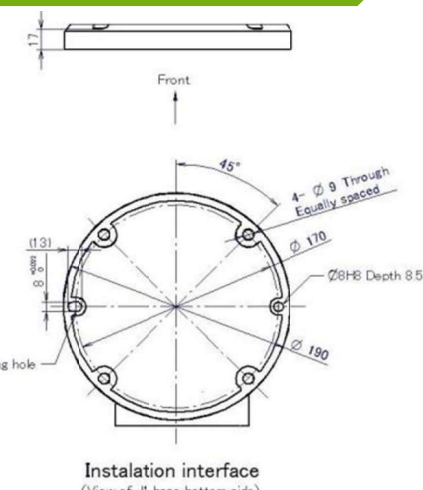
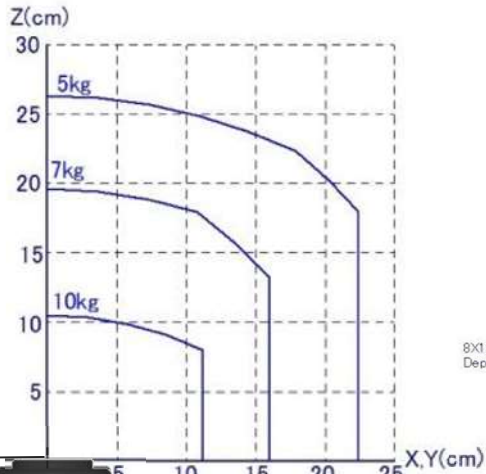


CRX-10iA/L Flip Under

- Reduced interference area by utilizing under flip motion
- Higher productivity and improved efficiency



Interface and Wrist Load Diagram

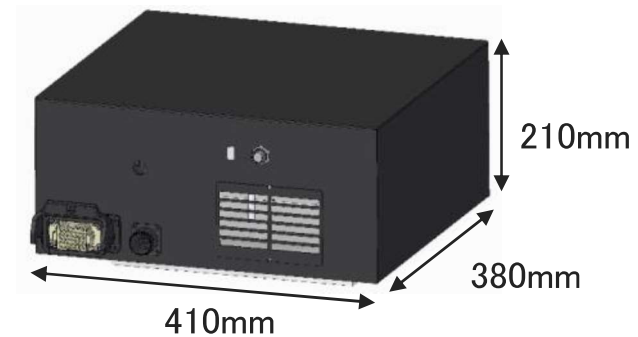
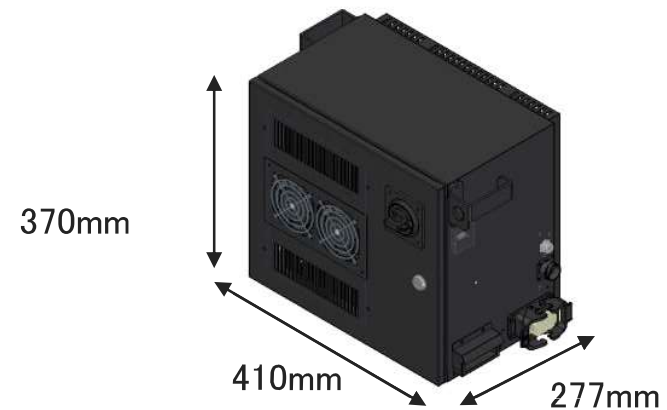


User-side EOAT connector M8 (female)

4	5	6	1 = white	= RS485+
3		7	2 = brown	= RS485-
2		1	3 = green	= DI2 (digital input 2)
	8		4 = yellow	= DI1 (digital input 1)
			5 = grey	= PWR (24V 1Amax)
			6 = pink	= DO2 (digital output 2)
			7 = blue	= DO1 (digital output 1)
			8 = red	= 0V

New Lightweight Controller: R-30iB Mini Plus

- Compact controller weighs at <20kg
- Support two input power:
 - AC100-120V (single phase)
 - AC200-240V (single phase)
- Two controller configurations:
 - Vertical – IP54 rated (standard)
 - Horizontal – IP20 rated
- Intelligent Features:
 - *iR*vision, *iR*PickTool and
 - Force Sensing



New Tablet Teach Pendant

- Combines base, tablet and apps for easy programming and operation
- Tough tablet comes dust/liquid proof and impact resistant



New Intuitive Touch Panel User Interface

Menu and Status Bar

- Dropdown menu
- Status icons

3D View Area

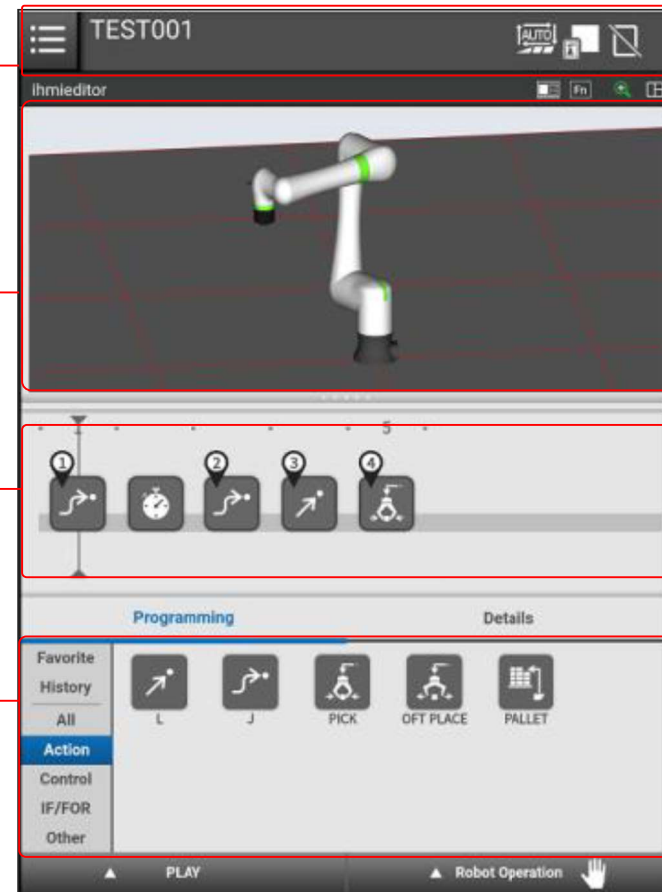
- Robot status graphics
- Displays teaching points

Timeline Program View

- Intuitive program representation
- Simple program navigation

Programming

- Drag & drop icons to the timeline
- Parameters adjustable in details



New Peripheral Software Interface



Main menu (example)



Custom command/details screen (example)



- Display custom menus and execute custom commands for peripheral devices by adding plug-ins
- Peripherals plug-ins development tool is available. For more information, contact <https://www.fanuc.co.jp/ja/contact/form/index.html> to request “CRX Plug-ins Development Tool.”
- The list of plug-ins for the CRX-ready peripherals will be made available on the FANUC website along with reference to each company’s website.
- Plug-in software will be obtained through the peripheral device company

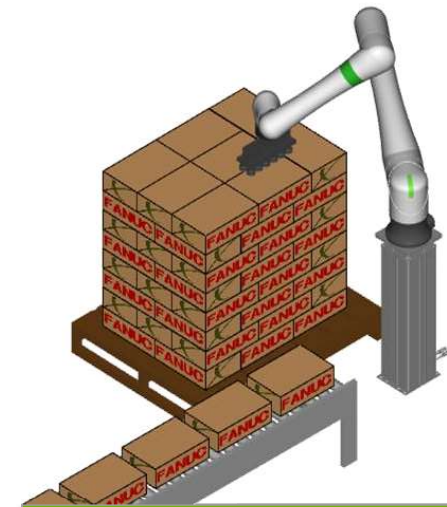
CRX Application Examples



QSSR – Machine Tending



Intelligent – Visual Tracking



Palletizing

AND MANY MORE!!!!